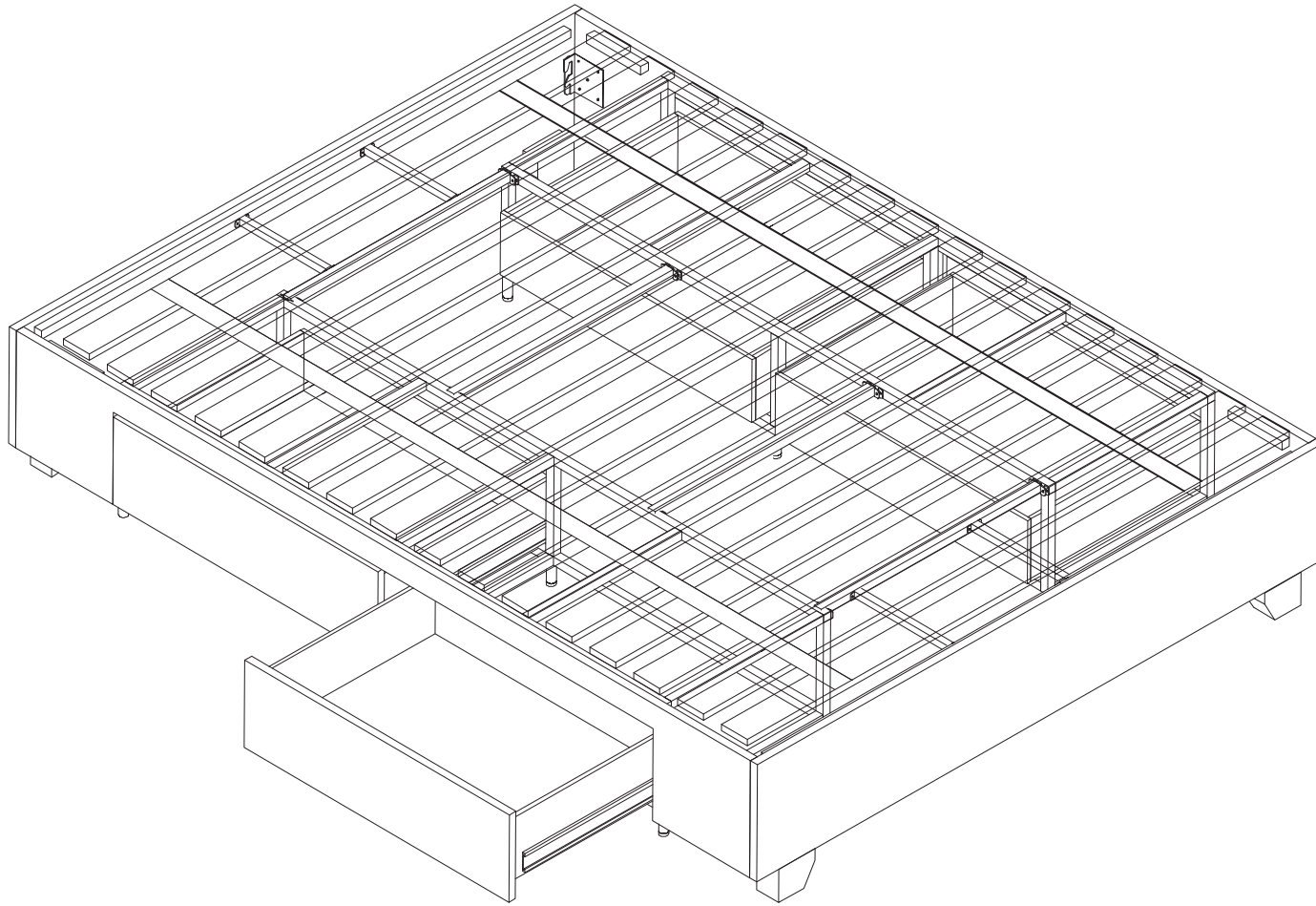


Queen Platform Drawer Bed Assembly Instructions



Republic Design House

Queen Platform Drawer Bed Assembly Instructions

NOTE: Unbox and place all parts on a clean and smooth surface (rug, carpet) to avoid the parts from being scratched.

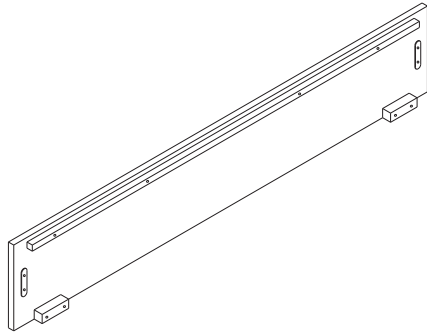
NOTE: Follow assembly instructions step by step.

NOTE: This bed comes in 3 boxes (4-5 if headboard is included)

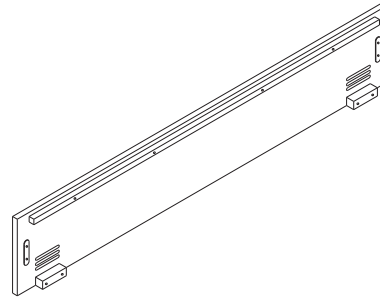
**Assembly
Video Available** 
www.republicdesignhouse.com

Queen Platform Drawer Bed Assembly Instructions

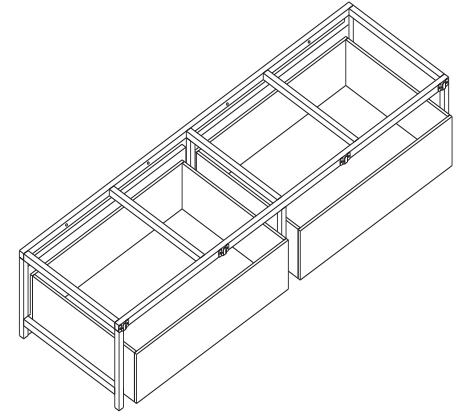
PART LIST:



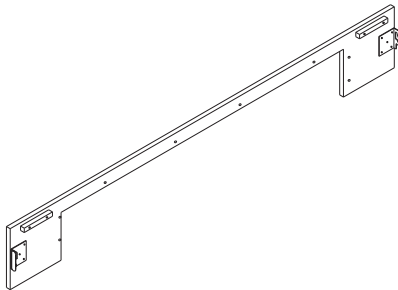
1 Footboard 1pc



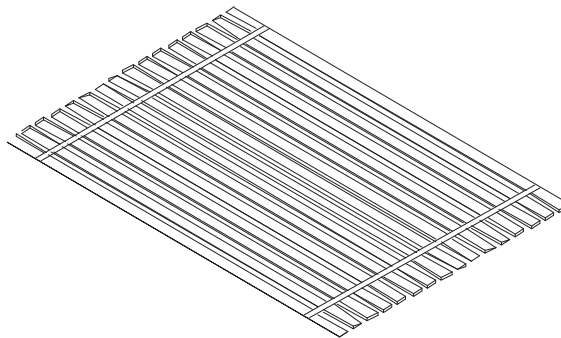
2 Backboard 1pc



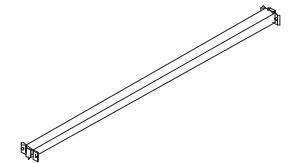
3 Drawer Units 2pcs



4 Siderail 2pcs



5 Slats 1pc



6 Short Connecting Rod 4pcs

Assembly
Video Available 
www.republicdesignhouse.com

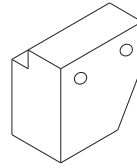
epublicDesignHouse

Queen Platform Drawer Bed Assembly Instructions

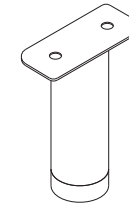
PART LIST:



7 Long Connecting Rod 4pcs



8 Feet 4pcs



9 Short Support Leg 10pcs

HARDWARE LIST:

LABEL	PICTURE	DESCRIPTION	QTY	LABEL	PICTURE	DESCRIPTION	QTY	LABEL	PICTURE	DESCRIPTION	QTY
A		LARGE BOLT	8	C		MIDIUM BOLT	16	E		SMALL BOLT	20
B		ALLEN WRENCH	1	D		LRG FLAT WASHER	8				

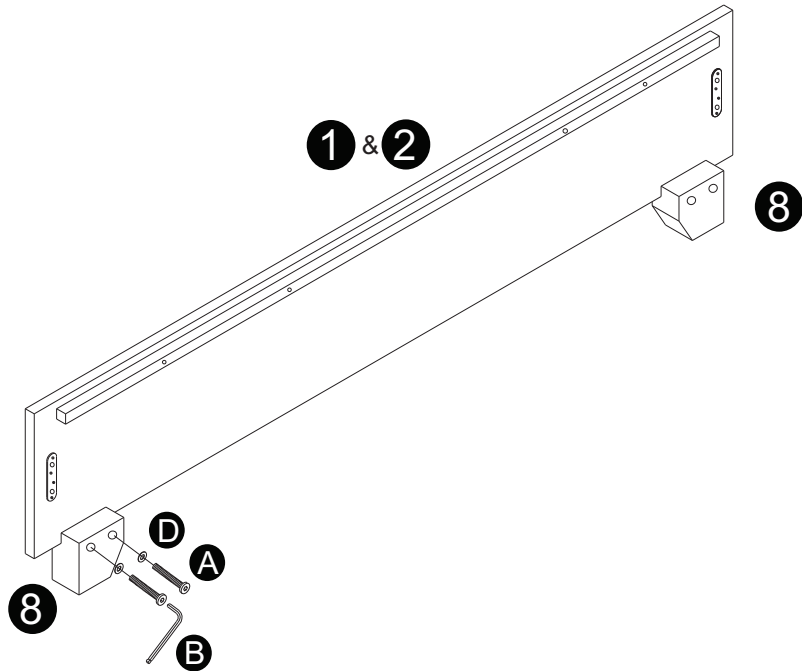
ADDITIONAL HARDWARE LIST: (Hardware to attach headboard)

LABEL	PICTURE	DESCRIPTION	QTY	LABEL	PICTURE	DESCRIPTION	QTY
F		EXTRA LARGE BOLT	4	H		NUT	4
G		WRENCH	1	I		LRG FLAT WASHER	8

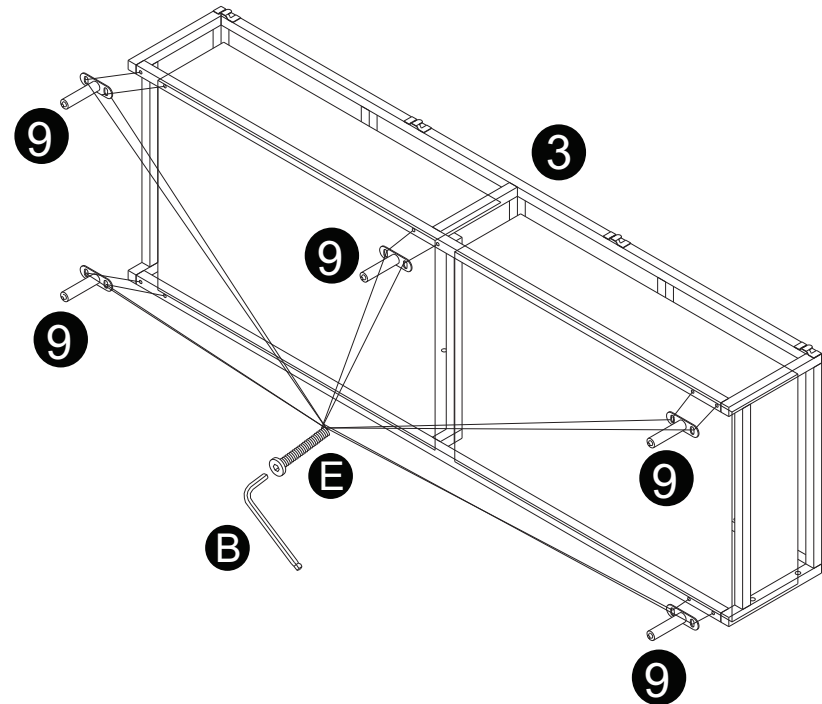
Republic Design House

Queen Platform Drawer Bed Assembly Instructions

STEP 1: Attach the two feet to both the backboard and the footboard using the 8- long bolts and 8- washers.
(See below diagram)



STEP 2: Next, attach the 10- support legs to the underside of each drawer unit, 5 legs per unit (see diagram)



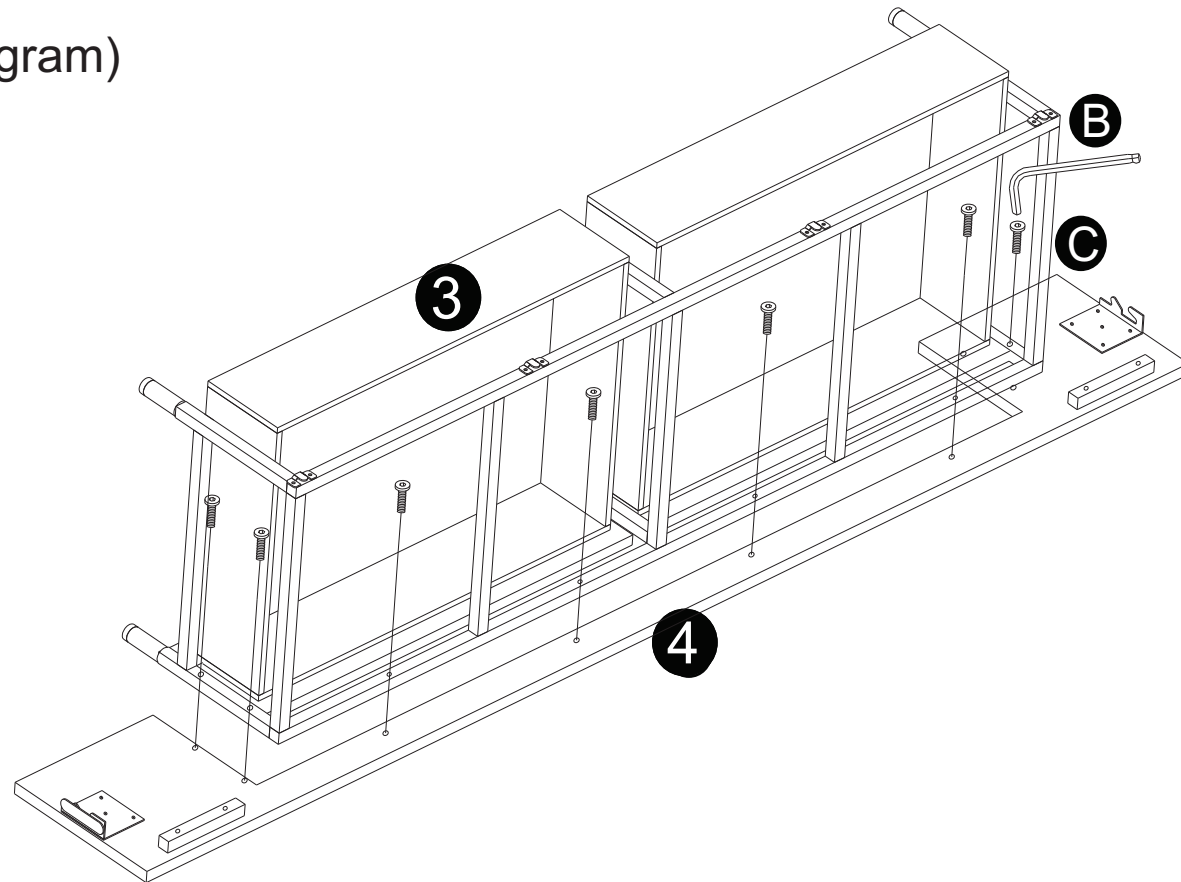
Assembly
Video Available 
www.republicdesignhouse.com

Republic Design House

Queen Platform Drawer Bed Assembly Instructions

STEP 3: After the support legs are securely fastened, place a side rail, face down, on a clean surface, then carefully place a drawer unit, face down, in the opening of the side rail, aligning the attachment holes. Using the small bolts and allen wrench, attach the drawer unit to the side rail. Do this for both units.

(See below diagram)



Assembly
Video Available 
www.republicdesignhouse.com

Republic Design House

Queen Platform Drawer Bed Assembly Instructions

STEP 4: After both side rails have been attached to the drawer units, place each drawer unit upright (standing on the support legs), attach the footboard and backboard to the side rails using the hook attachments (please note: the attachment bolts on either end of the footboard and backboard can be loosened and tightened with the allen wrench FIG.1). Loosen the attachment bolts enough to fit the hooks in (FIG.1), aligning the side rails to the footboard and backboard, once all hooks are in place, tighten the attachment bolts, securing the four corners of the bed.(See below diagram)

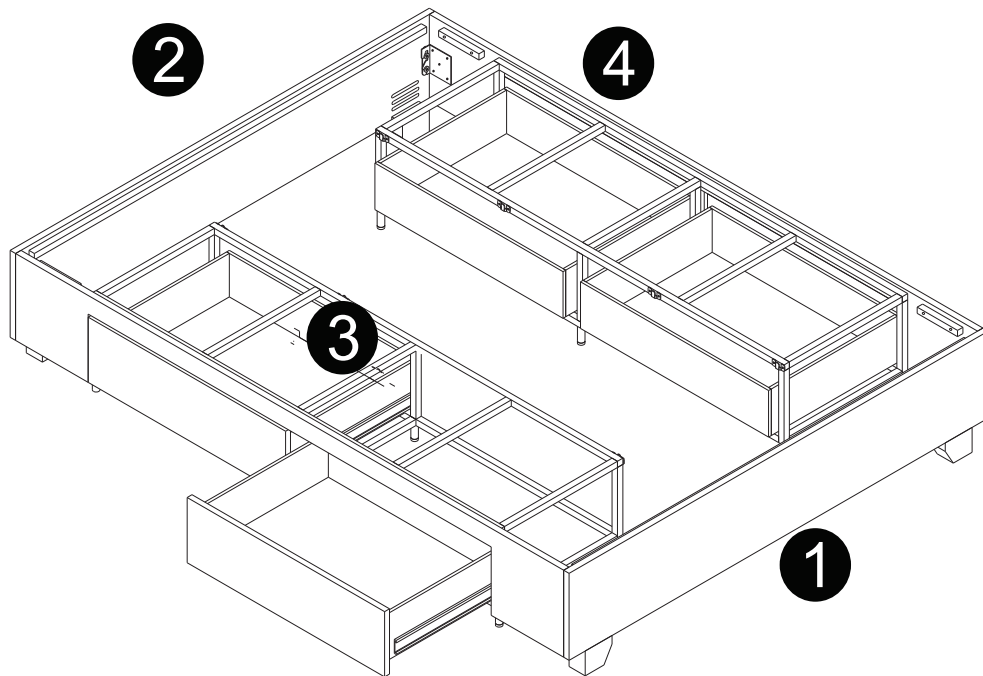
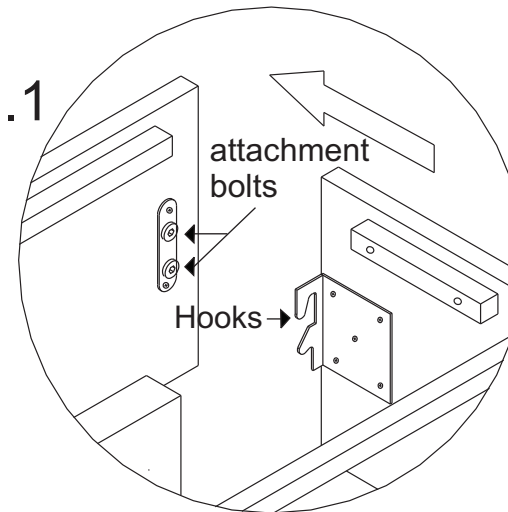


FIG.1

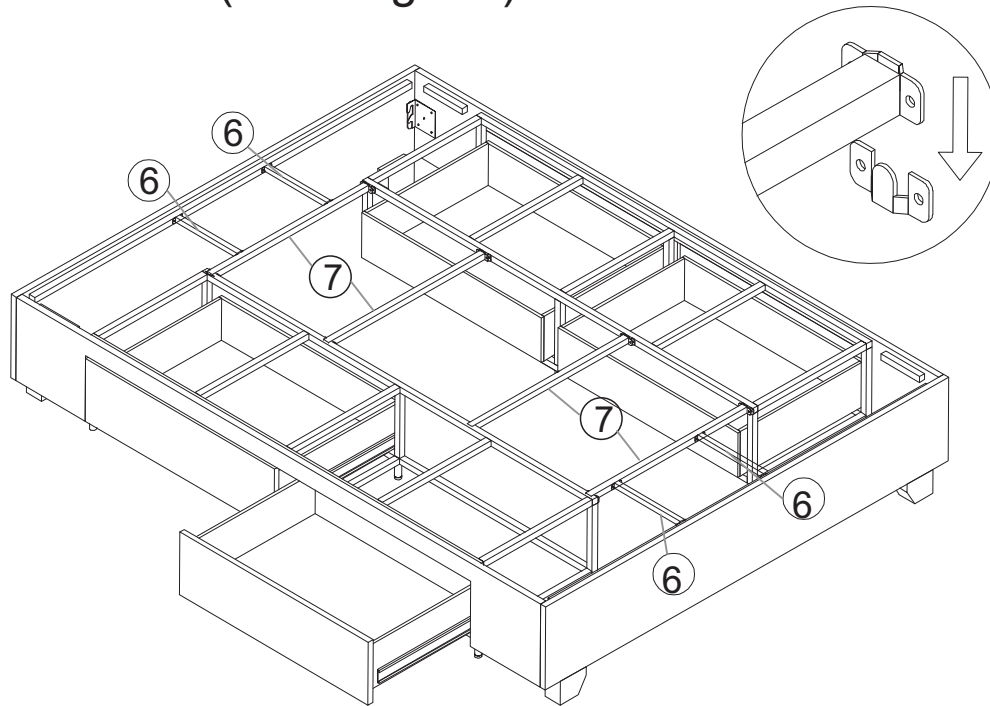


Assembly
Video Available 
www.republicdesignhouse.com

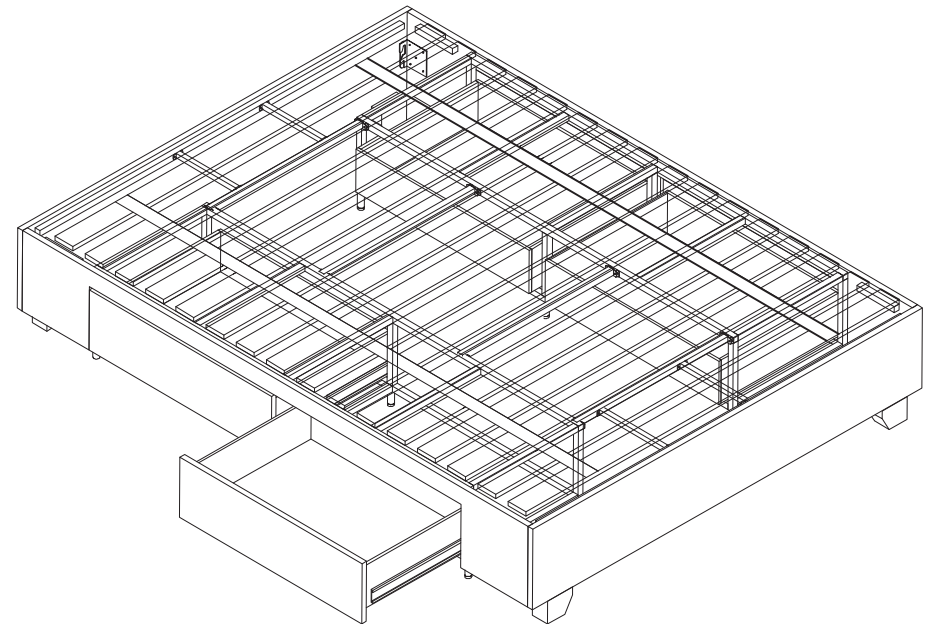
Republic Design House

Queen Platform Drawer Bed Assembly Instructions

STEP 5: Once all four corners are securely tightened and connected, link both drawer units, footboard and backboard with the connecting rods. (see diagram)



STEP 6: Lay the slats atop the bed with the smaller sections on the outside, **your bed is complete!** (To attach a headboard: remove the decks and align the horizontal slots on the backboard with the vertical slots in the legs of your headboard. Once aligned, attach the two together using the additional bolts, washers, nuts



Assembly
Video Available 
www.republicdesignhouse.com

Republic Design House